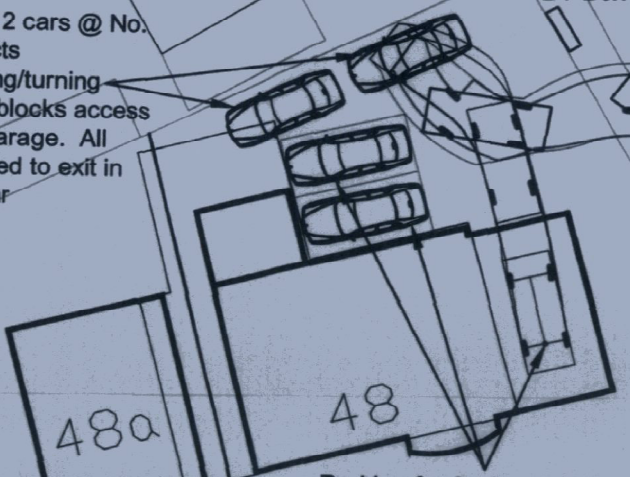


Parking for 2 cars @ No. 48a Restricts manoeuvring/turning space and blocks access to No. 48 garage. All cars will need to exit in reverse gear

CEDAR AVENUE
BT Box



Parking for 3 cars No. 48

Swept Path showing car entering and exiting in forward gear

Proposed driveway and dropped crossing

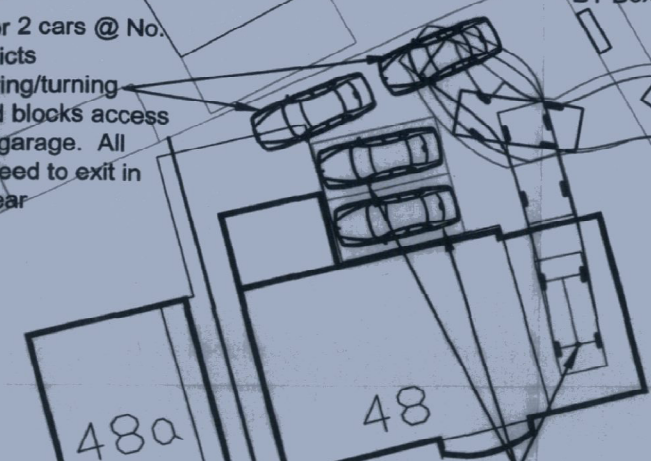
Proposed landscaping

RUNSHAW LANE

1/2012

Parking for 2 cars @ No. 48a Restricts manoeuvring/turning space and blocks access to No. 48 garage. All cars will need to exit in reverse gear

CEDAR AVENUE
BT Box



Parking for 3 cars No. 48

Swept Path showing car entering and exiting in forward gear

Proposed driveway and dropped crossing

Proposed landscaping

RUNSHAW LANE

1/2012

12/10/16

CORPORATE SUPPORT SERVICES

REC'D - 9 NOV 2012

FILE	
CHKD	
ATTEN OF	
COPIES TO	



THIS IS A CONTROLLED DOCUMENT

REV	DESCRIPTION	DATE

Stilwell PARTNERSHIP
SAFETY, TRAFFIC & HIGHWAY
ENGINEERING CONSULTANTS
SATELLITE HOUSE, 2 NEXUS PARK
ASH VALE, SURREY, GU12 5QE
Tel: 01276 700400, Fax: 01252 544 934
E-Mail: info@stilwell-td.co.uk
Web: www.stilwell-td.co.uk

PROJECT:	48a Runshaw Lane, Epsom, Surrey, Surrey, GU7 4AX	
TITLE:	Proposed Access Arrangements	
SCALE:	1:200 @ A1	DATE: 2012
DATE:	AUGUST 2012	DATE: 2012
DRAWN BY:	TSP/MMP/2326/01 A	